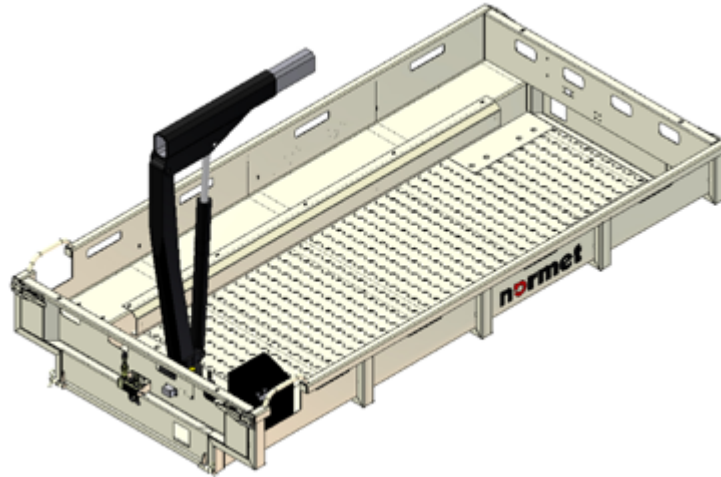


normet

C125 Crane cassette

Technical data sheet
2600035
26.04.2012



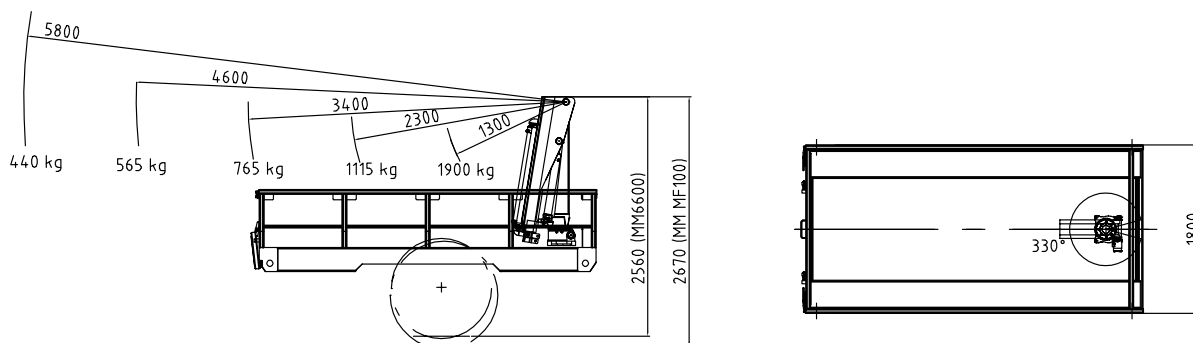
Pictured machine may include options and additional equipment.

Technical specification

MATERIAL PLATFORM

- Capacity 5 tons
- Platform inner dimensions 3380 mm x 1690 mm
- Wall height 310 mm
- Crane 25 kNm:
 - Lifting moment 26 kNm
 - Maximum hydraulic outreach 3.4 m
 - Slewing angle 330°

Dimensions



SIDE VIEW

DIMENSIONS

Length	3600 mm
Width	1800 mm
Height	1870 mm
Height with MM 6600 / MF100	2560 mm / 2670 mm

TOP VIEW

WEIGHT

Empty	1500 kg
-------	---------

Normet reserves the right to change this specification without further notice.