

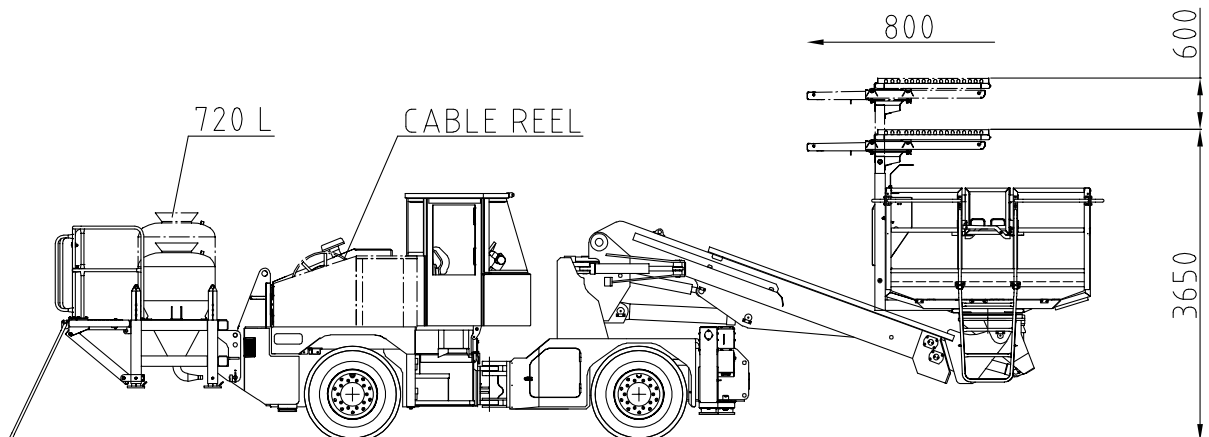
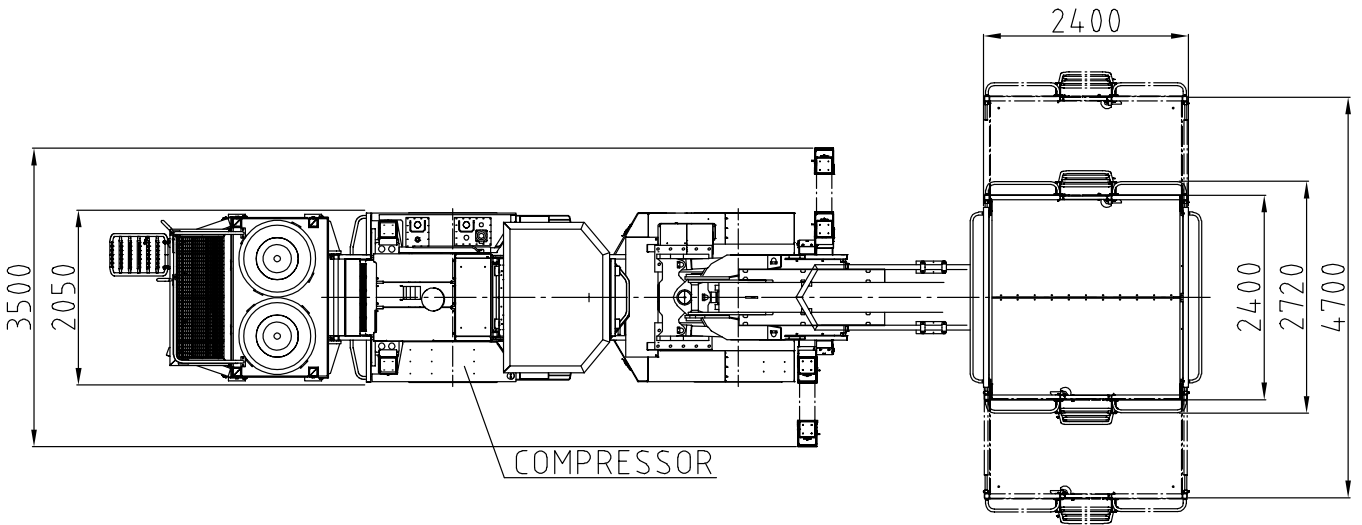
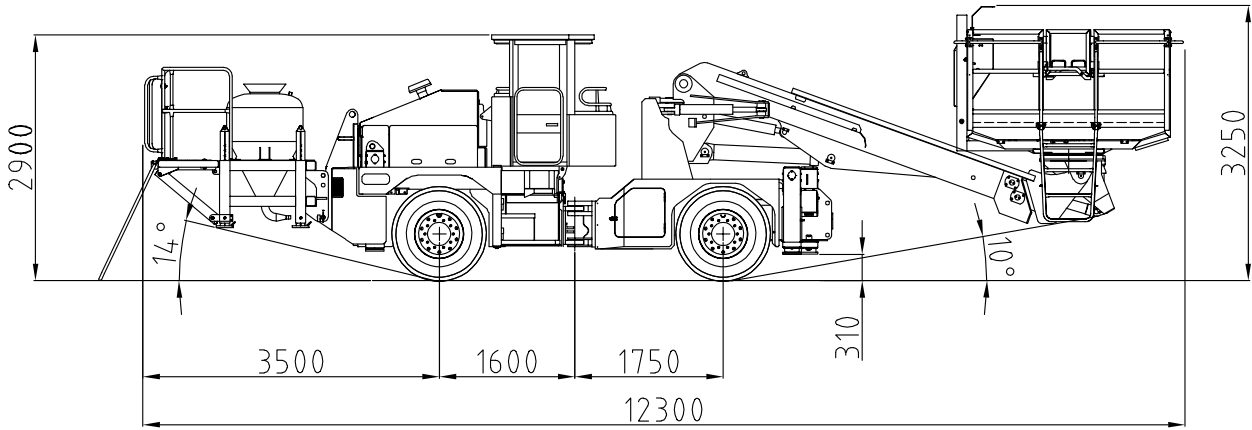
normet

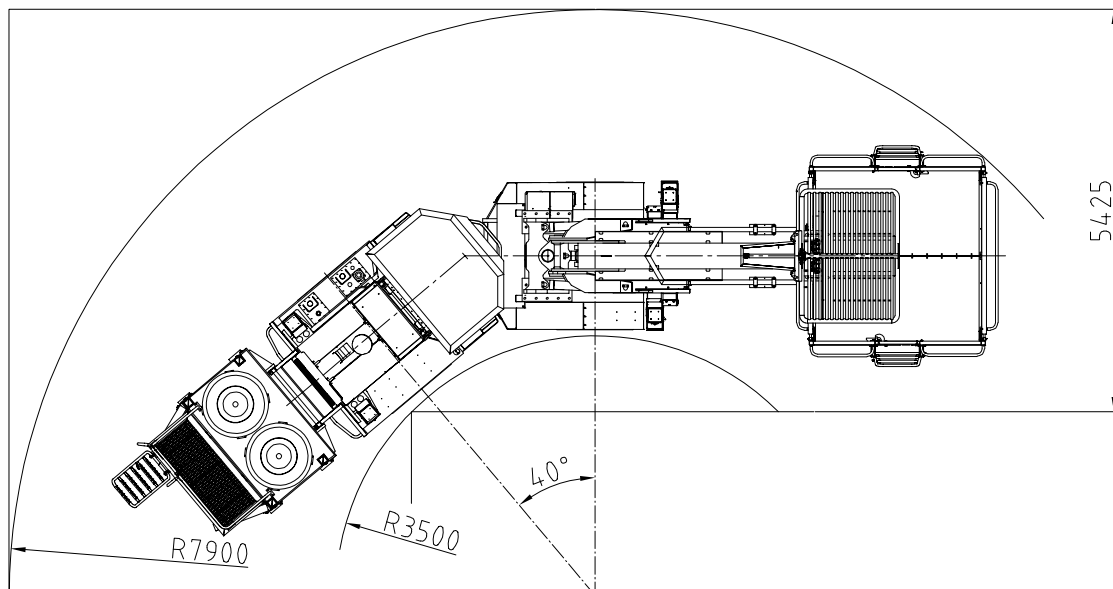
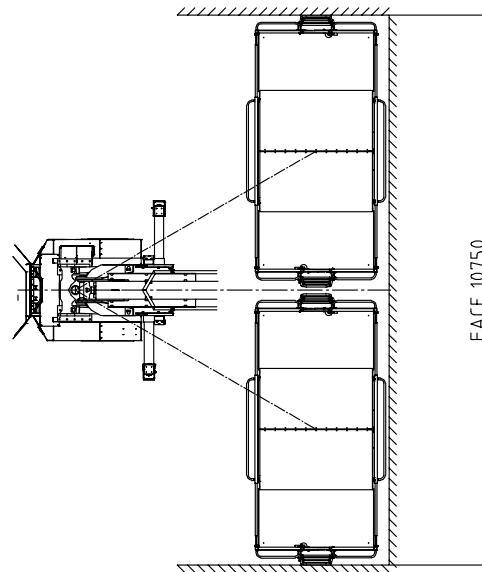
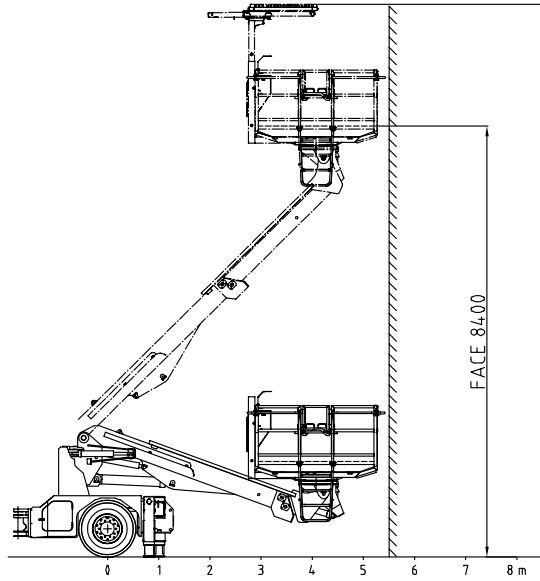
Normet Oy
Ahmolantie 6
FI-74510 IISALMI, FINLAND
Tel +358 (0) 17 83 241
Fax +358 (0) 17 823 606
info@normet.fi www.normet.fi

Charmec 9910 BC ANX 1000

TI 100020253
DATE 03.07.2012
PAGE 1 / 5

Single boom bulk ANFO charger - lifter





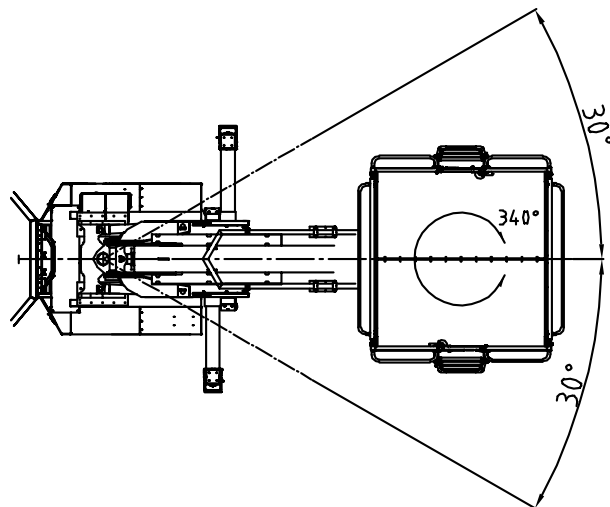
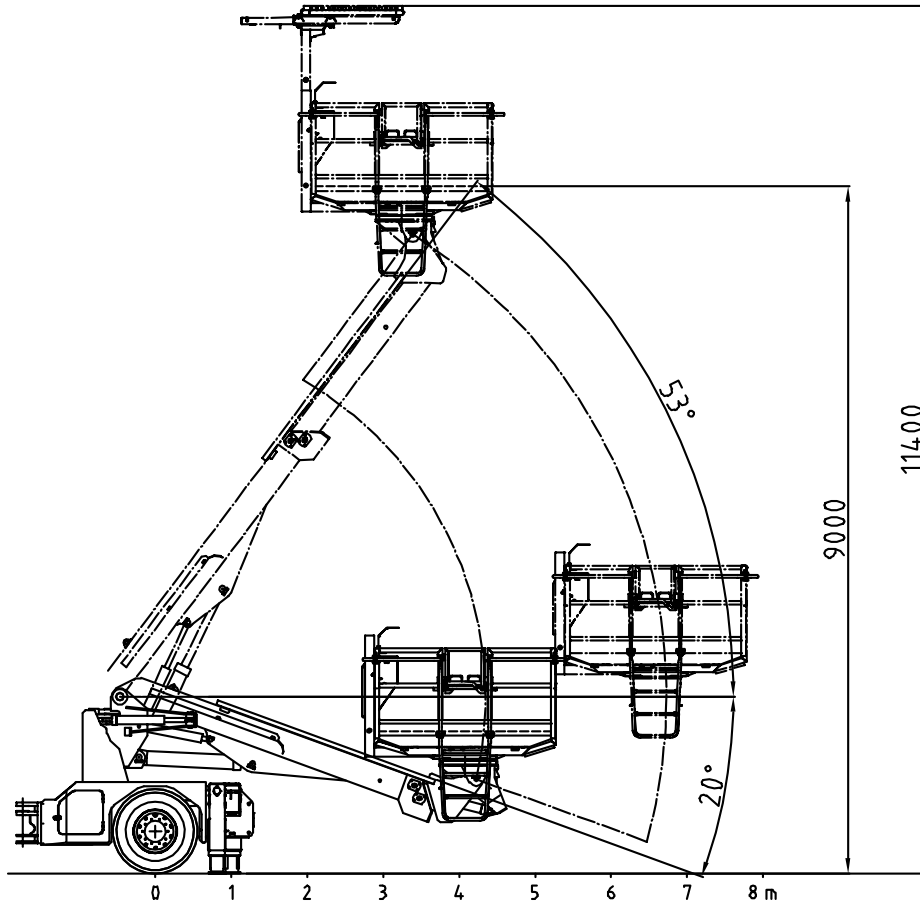
normet

Normet Oy
Ahmolantie 6
FI-74510 IISALMI, FINLAND
Tel +358 (0) 17 83 241
Fax +358 (0) 17 823 606
info@normet.fi www.normet.fi

Charmec 9910 BC ANX 1000

TI 100020253
DATE 03.07.2012
PAGE 3 / 5

Single boom bulk ANFO charger - lifter





Normet Oy
 Ahmolantie 6
 FI-74510 IISALMI, FINLAND
 Tel +358 (0) 17 83 241
 Fax +358 (0) 17 823 606
 info@normet.fi www.normet.fi

Charmec 9910 BC ANX 1000

TI 100020253
 DATE 03.07.2012
 PAGE 4 / 5

Single boom bulk ANFO charger - lifter

CHARMEC 9910 BC ANX 1000

is a self propelled diesel driven 1-boom lifting unit suitable for charging of explosives, man lifting and installing works in tunneling.

DIMENSIONS

| | |
|----------------------|--------------|
| Length | 12300 mm |
| Width | 2050/4070 mm |
| Height | 2900 mm |
| Wheel base | 3350 mm |
| Ground clearance | 310 mm |
| Outer turning radius | 7900 mm |
| Inner turning radius | 3500 mm |
| Weight, max. total | 19600 kg |

NORMET SUPERBOOM NSB 900

is a heavy duty multipurpose boom suitable for charging, scaling, spraying of concrete, bolting and installing works. Different work platforms and net & roof support installing equipment are available. Boom is controlled from the platform and from the carrier. Platform can be equipped with FOPS tested safety canopy (EN ISO 3449).

| | |
|--|-----------------------------|
| Boom lift | - 20° ... + 53° |
| Boom slew | +/- 30° |
| Vertical working reach, max | 11,4 m |
| Vertical working reach, (FACE) | 10,8 m |
| Platform slew | 340° |
| Platform size | 2,40 m x 2,45 m |
| * extended | 2,40 m x 4,70 m |
| * hydraulically operated side extensions | |
| Lifting capacity | 1000 kg= |
| | 2 persons + 840 kg / basket |

CHARGING EQUIPMENT

2 x 500 l Anfo vessels: each with independent pressure controls.

WORKING LIGHTS

2 x 70 W on the work platform
 4 x 70 W on the carrier

SUPPORT LEGS

One pair in front and one pair at rear, hydraulically operated, front pair with lateral extensions.

SAFETY CANOPY

over the drivers seat fulfills the European safety regulations. Driver's cabin is FOPS/ROPS approved

CARRIER NC 98

is specially designed for underground use. Diesel engine with hydrodynamic transmission and 4-wheel drive. Fully enclosed multidisc 2-circuit brakes and parking and emergency brake make operating reliable and safe in the harsh underground conditions.

Diesel engine TCD2013 96kW Tier3

OPTIONAL EQUIPMENT:**2 x720 L Anfo vessel****Enclosed cabin for NC98 (ROPS/FOPS)****Particle filter for Deutz TCD 2012 L04 96kW****Xenon working lights on cabin (2 + 2) 35W****LED driving lights (4 + 2 pcs)****LED working lights on cabin (2 + 2 pcs)****ADDITIONAL EQUIPMENT:****Electro hydraulic drive 15kW:**

- 400 V / 50 Hz with 50 m cable and hydr. reel
- 440 V / 50 Hz with 50 m cable hydr. reel
- 690 V / 50 Hz with 50 m cable hydr. reel
- 1000 V / 50 Hz with 50 m cable hydr. reel

Hydraulic driven high pressure washer 180 bar**CD/Radio system (enclosed cabin)****Cabin heating (enclosed cabin)****Air conditioning (enclosed cabin)****Safety bar****Safety roof with hydraulic lift****Safety roof with hydraulic lift and slide****Fogmaker extinguishing system (manual)****Fogmaker extinguishing system (automatic)****Ansul extinguishing system (manual)****Ansul extinguishing system (automatic)****Tempus manually actuated (Non CE)****Lubrication system for NSB boom (Lincoln)****Hydraulically driven compressor 5 m3/min****Sliding safety roof for REX basket (FOPS)****1 extra hand held fire extinguisher (12 kg)****1 extra rotating beacon amber****1 extra rotating beacon red****1 extra rotating beacon blue****1 extra strobe light white****Toolbox and maintenance tools****2 pcs wheel chocks with brackets****Spare wheel****Text labels in:****Fin / Por /GB / Swe / Rus / Nor / Ger / Fra / Spa / Ita****LTC SERVICES:****SPARE PARTS****Spare parts package A:** Available for 1000 h of use*. Include periodical service, most common wearing parts and most critical safety parts.**Spare parts package B:** Available for 3000 h of use*. Include periodical service, most common wearing parts and most critical safety parts.

* Recommendations are based on average hours - can vary a lot depending on work site conditions.

TRAINING SERVICES

Available before delivery, at start up and after delivery

Product training:

Operation and Maintenance

NorSmart

Foundation of electrics, hydraulics and mechanics

Audit

Process training:

Concrete spraying

Charging

Process audit

AUDIT SERVICES

To improve performance of the machines

To improve the performance of your processes

To help improve the quality of maintenance operations

SERVICE CONTRACTS

Spare parts supply programmes

Scheduled inspection programmes

Supervision programmes

Periodic maintenance programmes

Machine usage programmes

LINK ONE

Link One electronic spare part manuals

WARRANTY SERVICES

Extended warranty