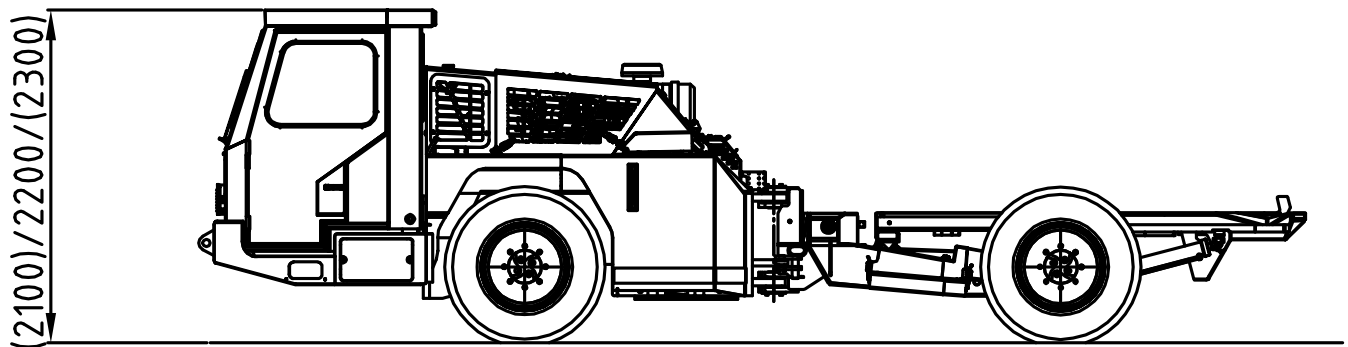
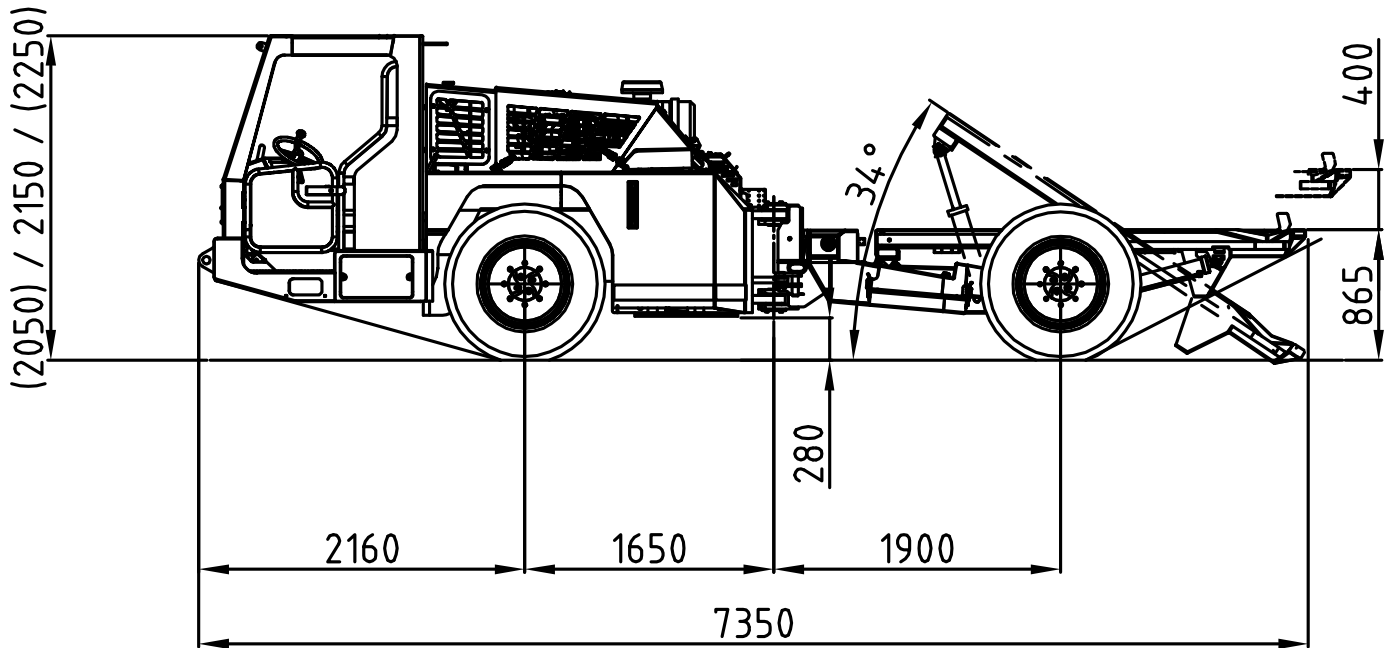


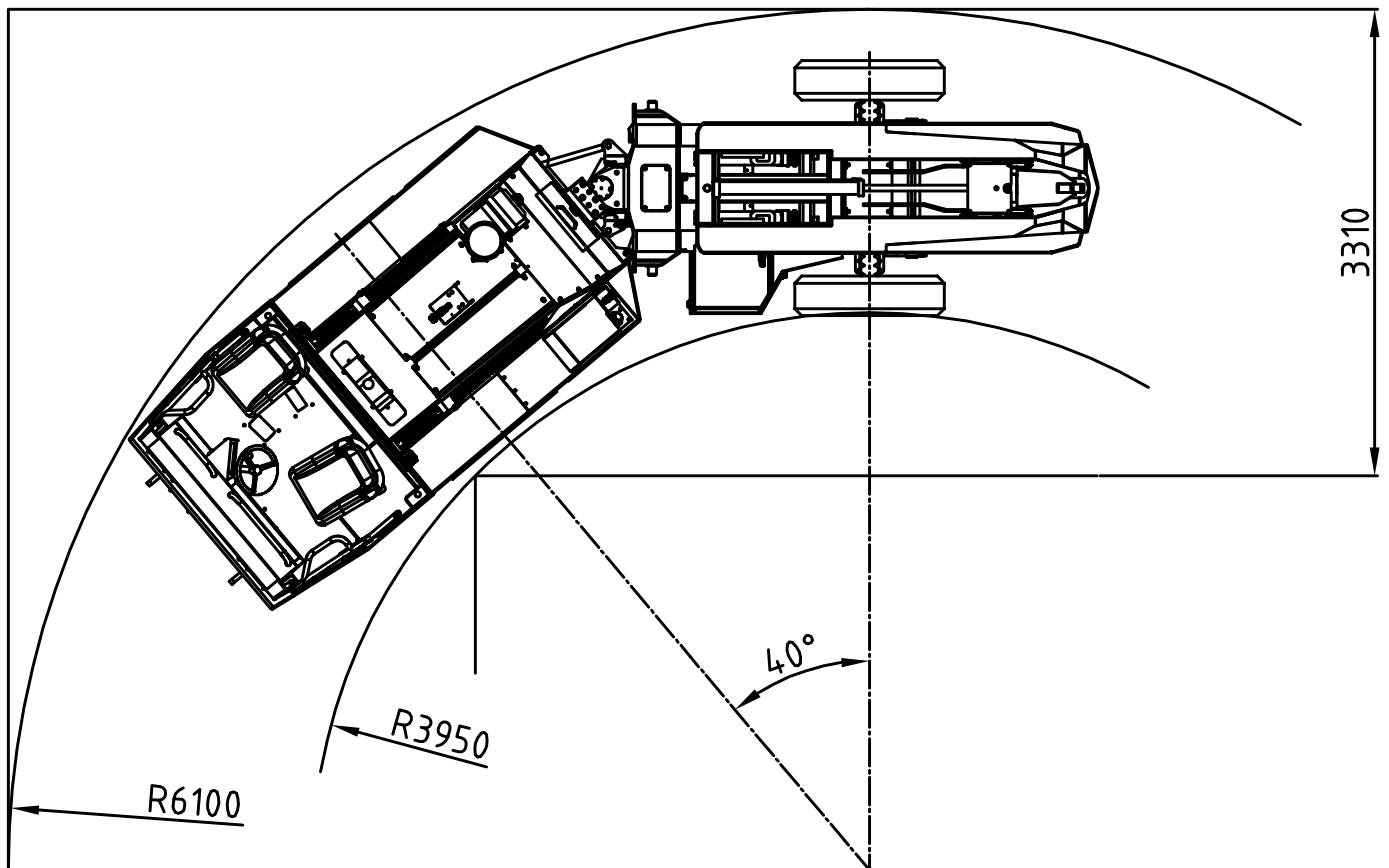
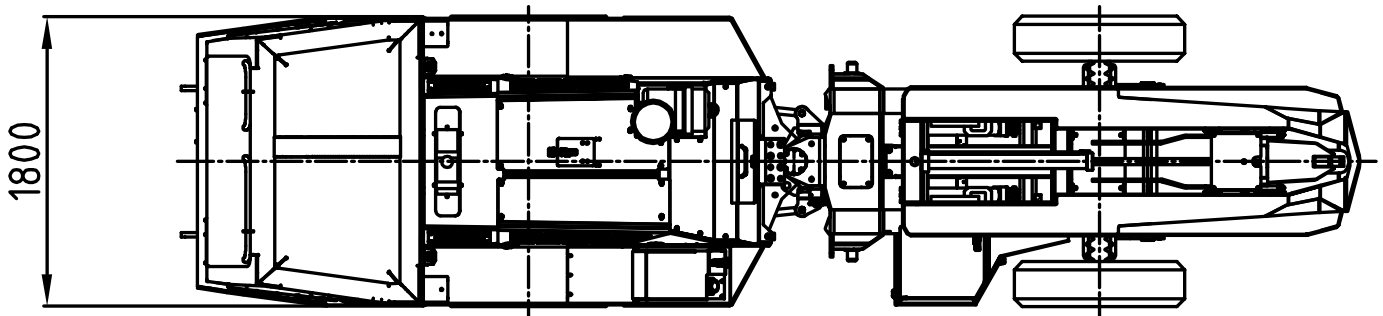
**normet**

Normet Oy  
Ahmolantie 6  
FI-74510 IISALMI, FINLAND  
Tel +358 (0) 17 83 241  
Fax +358 (0) 17 823 606  
info@normet.fi www.normet.fi

# Multimec 6600

TI 1800021  
DATE 02.07.2012  
PAGE 1 / 4





**DIMENSIONS**

Length	7350 mm
Width	1800 mm
Height	(+/- 100 mm) 2150 mm
Wheel base	3550 mm
Track	1500 mm
Ground clearance	280 mm

**WEIGHT**

Operating	7400 kg
Max. payload	6000 kg

**TURNING RADIUS**

Outer	6100 mm
Inner	3950 mm

**PERFORMANCE CURVE**

	<b>4800031</b>
1st gear	max. 5 km/h
2nd gear	12 km/h
3rd gear	25 km/h
Max. tractive effort	90 kN

**TRANSMISSION**

Dana Spicer powershift  
3 speeds forwards and reverse  
4-wheel drive

**AXLES**

Planetary type  
rear axle fixed  
front axle oscillation +/- 10°

**TYRES**

10.00 - 20 PR 16

**BRAKES**

**Service brake:** hydraulically powered two-circuit oil immersed multidisc brakes in both axles  
**Safety/Parking brake:** hydraulically released fail-safe -type brake

**STEERING**

Hydraulic frame steering,  
Orbitrol type  
Frame articulation +/- 40°

**HYDRAULICS**

190 bar, 95 L/min/2200 rpm  
for steering and brakes  
200 bar, 95 L/min/2200 rpm for mixer

**ENGINE**

Deutz TCD 2012 L4  
96 kW/2200 rpm

**ELECTRICAL SYSTEM**

24 V negative ground  
Battery 2 x 110 Ah  
Alternator 80 A  
Lights (2 + 2) x 70 W

**DRIVER'S CABIN**

Open 2-man cabin FOPS/ROPS approved

**OPTIONAL EQUIPMENT:**

Enclosed cabin for NT60 (ROPS/FOPS)  
Mercedes-Benz OM 904 LA 90 kW engine  
Xenon working lights on cabin (2 + 2 pcs)  
LED driving lights (4 + 2 pcs)  
LED working lights on cabin (2 + 2 pcs)

**ADDITIONAL EQUIPMENT:**

CD/Radio system  
Cabin heating  
Air conditioning  
Fogmaker extinguishing system (manual)  
Fogmaker extinguishing system (automatic)  
Ansul extinguishing system (manual)  
Ansul extinguishing system (automatic)  
Tempus manually actuated (Non CE)  
Automatic lubrication system for carrier (Lincoln)  
4m<sup>3</sup>/min hydraulic driven compressor on front rack  
Fast fuel filling system Wiggins  
1 extra hand held fire extinguisher (12 kg)  
1 extra rotating beacon amber  
1 extra rotating beacon red  
1 extra rotating beacon blue  
1 extra strobe light white  
Tools for maintenance  
Reversing camera  
NT60 spare wheel  
Hydraulics for mixer cassette  
0,4 m<sup>3</sup>/min compressor for Fuel / Lube cassette  
Text labels in:  
Fin / Por / GB / Swe / Rus / Nor / Ger / Fra / Spa / Ita

**CASSETTES:**

Base cassette  
C100 Material cassette  
C162 Personnel cassette  
C125 Crane cassette  
C250 Fuel cassette  
C200 Lube cassette  
C300 Mixer cassette  
C315 Scissor lift cassette  
C100 Workshop cassette  
C350 Lube cassette  
C350 Water cassette  
C350 Fuel Cassette  
C600 Explosives cassette

**LTC SERVICES****SPARE PARTS**

**Spare parts package A:** Available for 1000 h of use\*.  
Include periodical service, most common wearing parts  
and most critical safety parts.

**Spare parts package B:** Available for 3000 h of use\*.  
Include periodical service, most common wearing parts  
and most critical safety parts.

\* Recommendations are based on average  
hours - can vary a lot depending on work site  
conditions.

**TRAINING SERVICES**

Available before delivery, at start up and after  
delivery

**Product training:**

Operation and Maintenance  
NorSmart  
Foundation of electrics, hydraulics  
and mechanics  
Audit

**Process training:**

Concrete spraying  
Charging  
Process audit

**AUDIT SERVICES**

To improve performance of the machines  
To improve the performance of your processes  
To help improve the quality of maintenance operations

**SERVICE CONTRACTS**

Spare parts supply programmes  
Scheduled inspection programmes  
Supervision programmes  
Periodic maintenance programmes  
Machine usage programmes

**LINK ONE**

Link One electronic spare part manuals

**WARRANTY SERVICES**

Extended warranty