

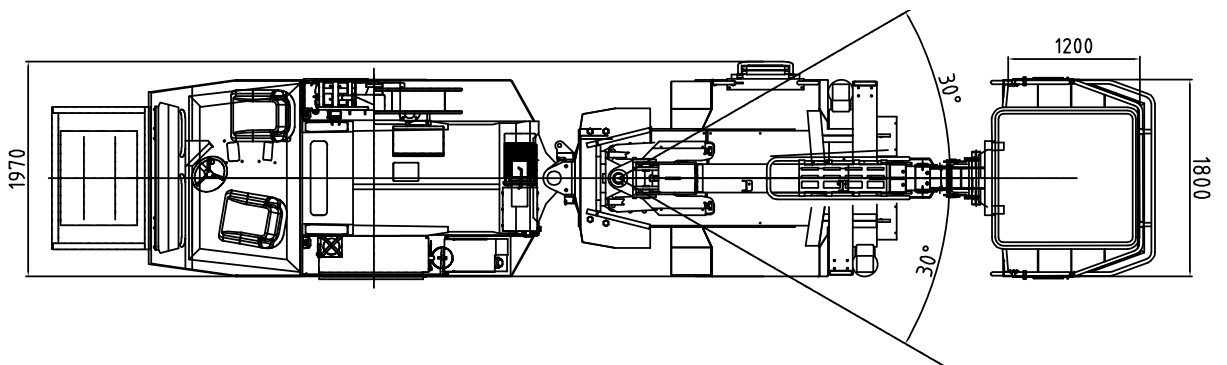
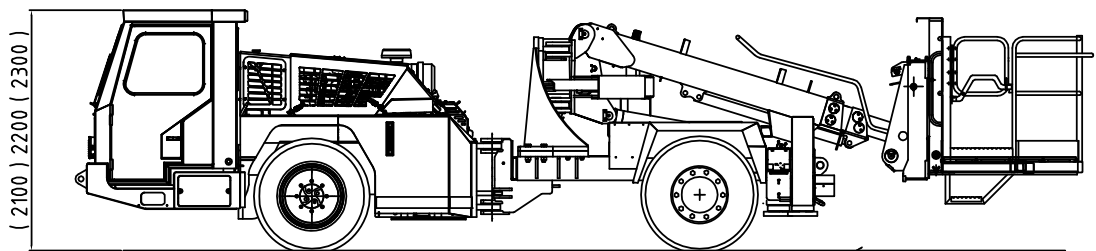
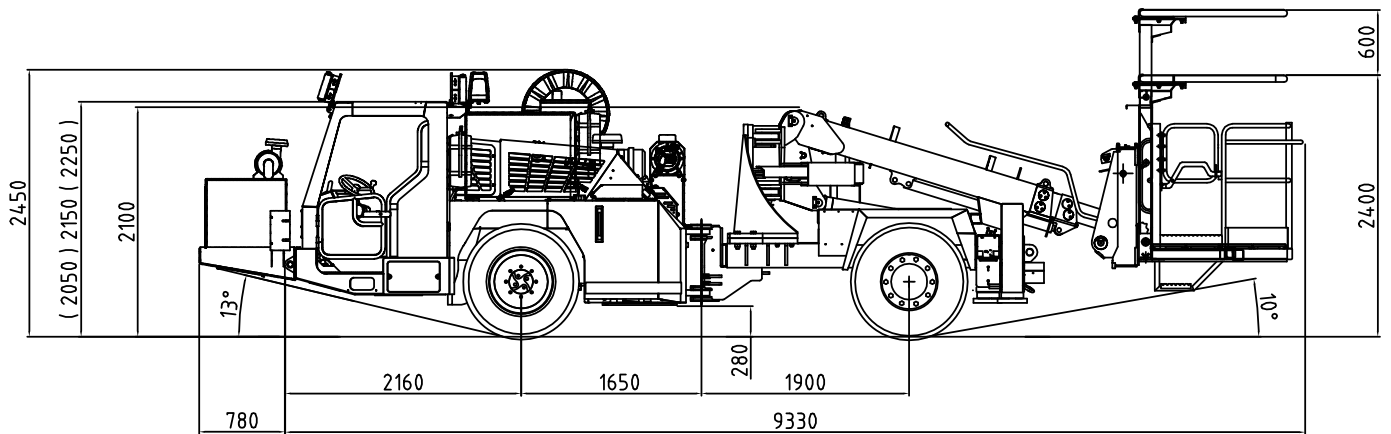
**normet**

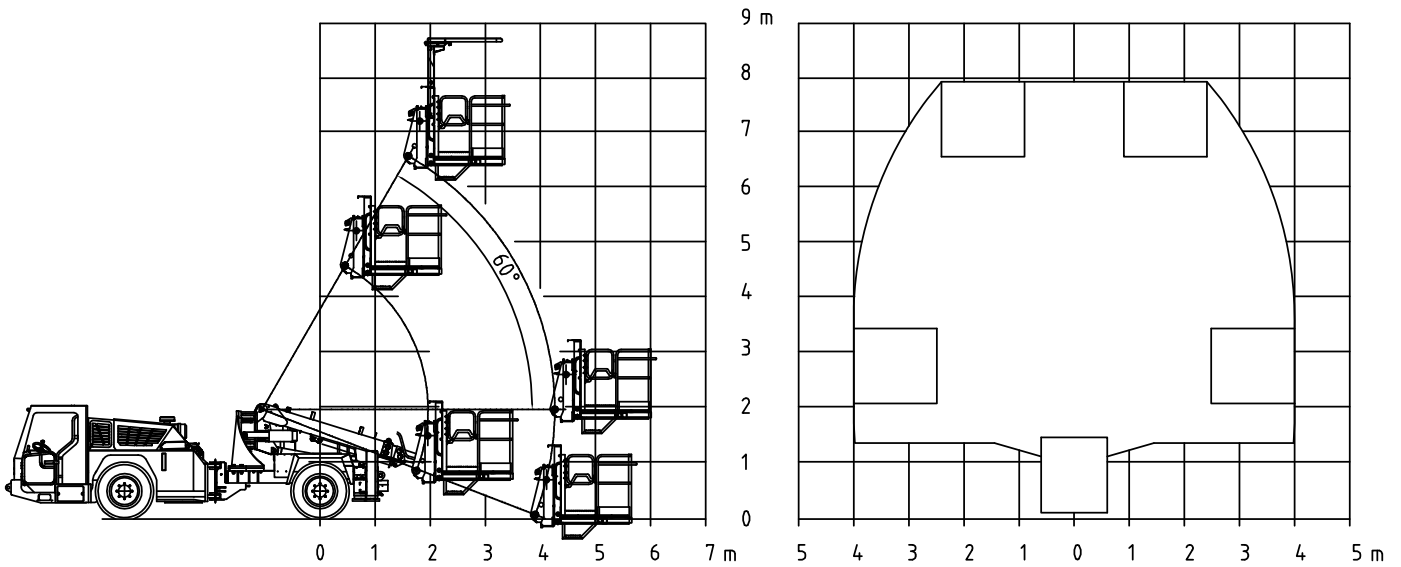
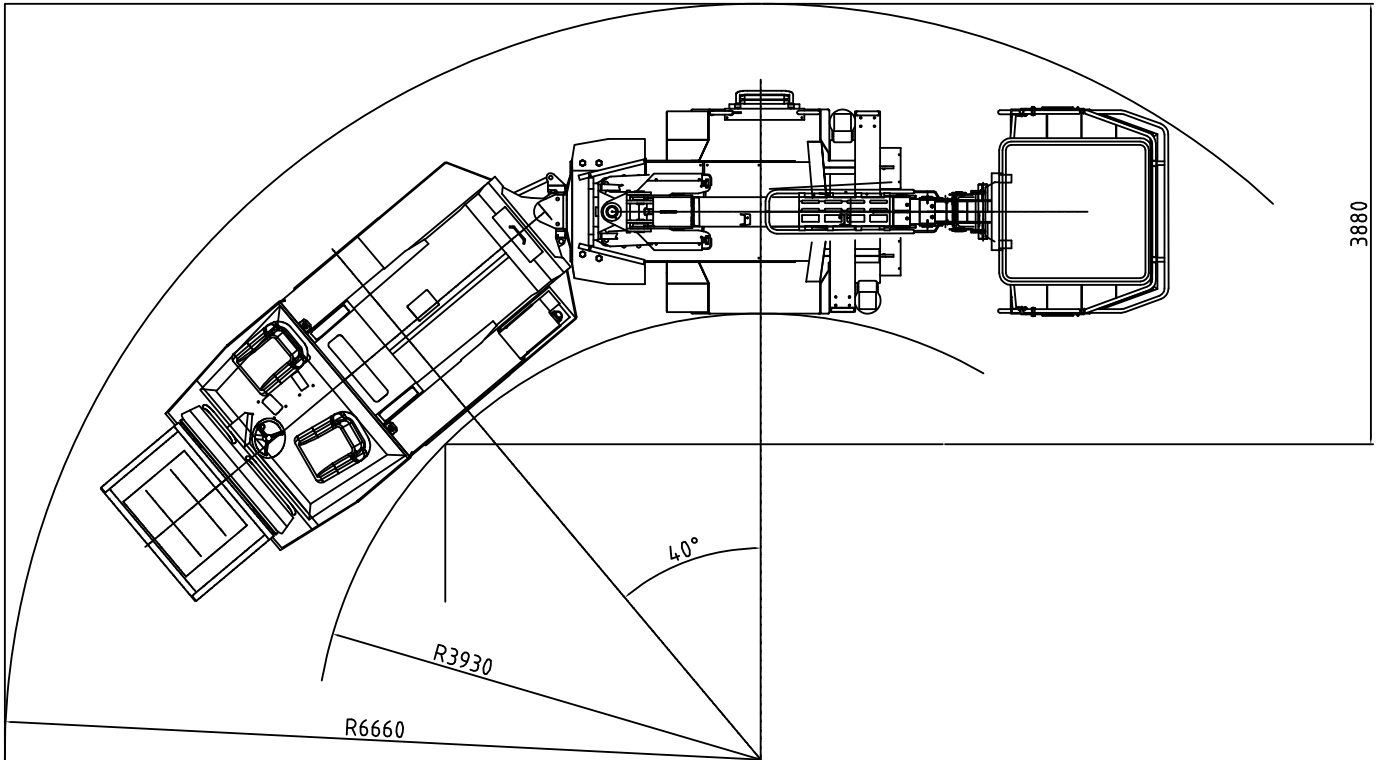
Normet Oy  
Ahmolantie 6  
FI-74510 IISALMI, FINLAND  
Tel +358 (0) 17 83 241  
Fax +358 (0) 17 823 606  
info@normet.fi www.normet.fi

# Utilift 6605 B

TI 100003940  
DATE 02.07.2012  
PAGE 1 / 4

Lifter with boom





**DIMENSIONS**

Length	9330 mm
Width	1970 mm
Height	2200 mm
Wheel base	3550 mm
Track	1500 mm
Ground clearance	280 mm

**WEIGHT**

Operating	9500 kg
-----------	---------

**TURNING RADIUS**

Outer	6660 mm
Inner	3930 mm

**NBB3S BASKET BOOM**

Lifting capacity	500 kg
Lifting height	6500 mm
Boom slew	30° / 30°
Vertical working reach	8750 mm
Horizontal working reach	6950 mm
Hydraulic support legs	
Diesel start/stop from basket	
Battery operated emergency pump	

**PERFORMANCE CURVE**

	<b>4800031</b>
1st gear	max. 5 km/h
2nd gear	12 km/h
3rd gear	25 km/h
Max. tractive effort	90 kN

**TRANSMISSION**

Dana powershift  
3 speeds forward and reverse  
4-wheel drive

**AXLES**

Planetary type  
rear axle fixed  
front axle oscillation +/- 10°

**TYRES**

10.00 - 20 PR 16

**BRAKES**

**Service brake:** hydraulically powered dual-circuit oil immersed multidisc brakes in both axles

**Safety/Parking brake:** hydraulically released fail-safe -type brake

**STEERING**

Hydraulic frame steering,  
Orbitrol type  
Frame articulation +/- 40°

**HYDRAULICS**

190 bar, 95 L/min/2200 rpm

**ENGINE**

Deutz TCD 2012 L4  
96 kW/2200 rpm

**ELECTRICAL SYSTEM**

24 V negative ground  
Battery 2 x 110 Ah  
Alternator 80 A  
Lights (2 + 2) x 70 W

**DRIVER'S CABIN**

Open 2-man cabin FOPS/ROPS approved

**OPTIONAL EQUIPMENT:**

**Enclosed cabin for NT60 (ROPS/FOPS)**  
**Mercedes-Benz OM 904 LA 90 kW engine**  
**Xenon working lights on cabin (2 + 2 pcs)**  
**LED driving lights (4 + 2 pcs)**  
**LED working lights on cabin (2 + 2 pcs)**

**ADDITIONAL EQUIPMENT:**

**Electro-hydraulic power pack 15 kW:**  
400 V / 50 Hz with 50 m cable and hydr. reel  
440 V / 50 Hz with 50 m cable and hydr. reel  
690 V / 50 Hz with 50 m cable and hydr. reel  
1000 V / 50 Hz with 50 m cable and hydr. reel

**CD/Radio system**

**Cabin heating**

**Air conditioning**

**Safety bar**

**Safety roof with hydraulic lift**

**Safety roof with hydraulic lift and slide**

**Fogmaker extinguishing system (manual)**

**Fogmaker extinguishing system (automatic)**

**Ansul extinguishing system (manual)**

**Ansul extinguishing system (automatic)**

**Tempus manually actuated (Non CE)**

**Automatic lubrication system for carrier and lifter (Lincoln)**

**4 m<sup>3</sup>/min hydraulic driven compressor on front rack**

**Fast fuel filling system Wiggins**

**1 extra hand held fire extinguisher (12 kg)**

**1 extra rotating beacon amber**

**1 extra rotating beacon red**

**1 extra rotating beacon blue**

**1 extra strobe light white**

**Tools for maintenance**

**2 pcs wheel chocks with brackets**

**Reversing camera**

**NT60 spare wheel**

**Text labels in:**  
Fin / Por / GB / Swe / Rus / Nor / Ger / Fra / Spa / Ita

**LTC SERVICES****SPARE PARTS**

**Spare parts package A:** Available for 1000 h of use\*. Include periodical service, most common wearing parts and most critical safety parts.

**Spare parts package B:** Available for 3000 h of use\*. Include periodical service, most common wearing parts and most critical safety parts.

\* Recommendations are based on average hours - can vary a lot depending on work site conditions.

**TRAINING SERVICES**

Available before delivery, at start up and after delivery

**Product training:**

Operation and Maintenance  
NorSmart  
Foundation of electrics, hydraulics and mechanics  
Audit

**Process training:**

Concrete spraying  
Charging  
Process audit

**AUDIT SERVICES**

To improve performance of the machines  
To improve the performance of your processes  
To help improve the quality of maintenance operations

**SERVICE CONTRACTS**

Spare parts supply programmes  
Scheduled inspection programmes  
Supervision programmes  
Periodic maintenance programmes  
Machine usage programmes

**LINK ONE**

Link One electronic spare part manuals

**WARRANTY SERVICES**

Extended warranty