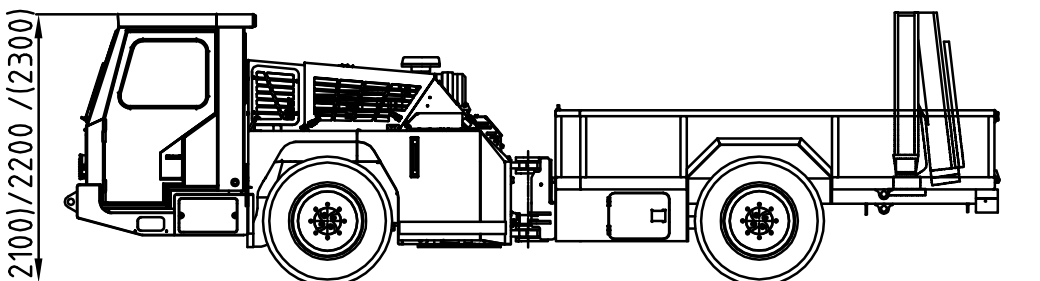
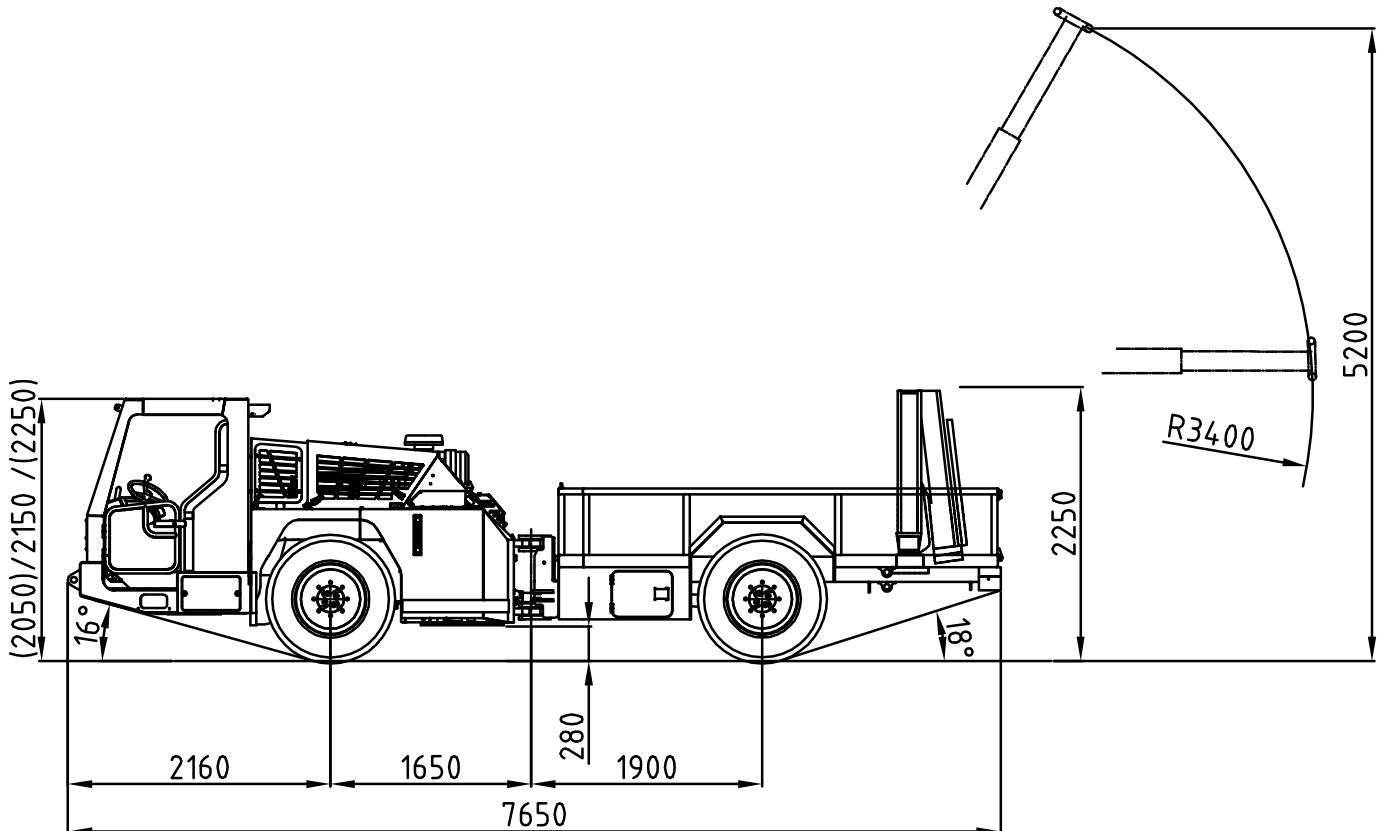


normet

Normet Oy
Ahmolan tie 6
FI-74510 IISALMI, FINLAND
Tel +358 (0) 17 83 241
Fax +358 (0) 17 823 606
info@normet.fi www.normet.fi

Utimec 6250 CR

TI 1800020
DATE 02.07.2012
PAGE 1 / 4

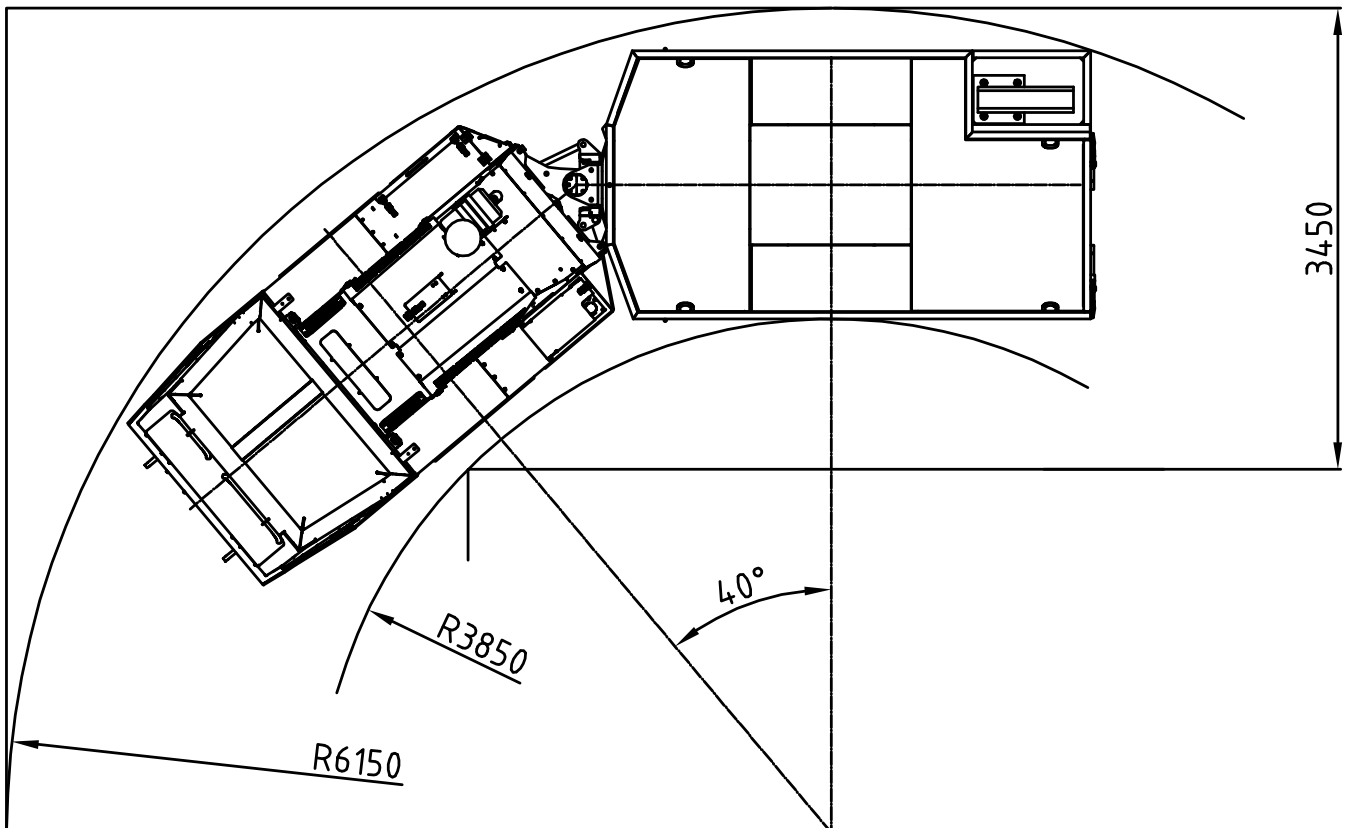
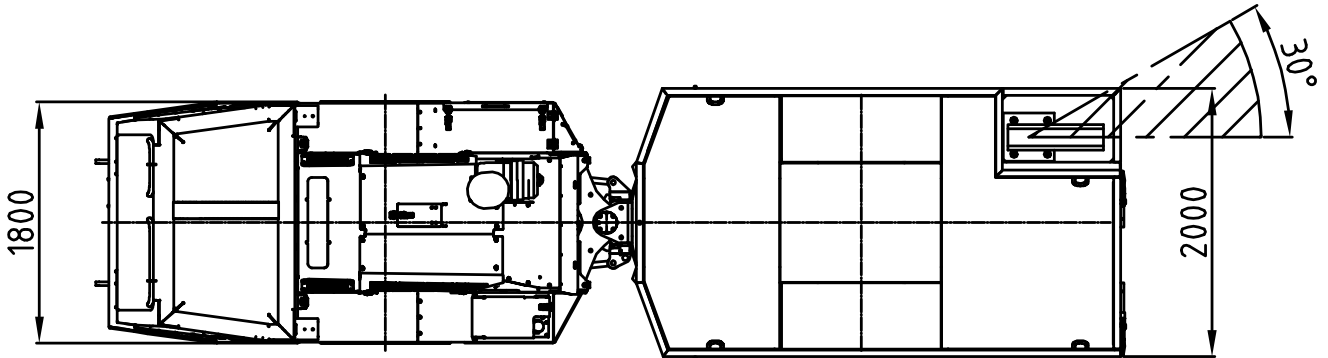


normet

Normet Oy
Ahmolantie 6
FI-74510 IISALMI, FINLAND
Tel +358 (0) 17 83 241
Fax +358 (0) 17 823 606
info@normet.fi www.normet.fi

Utimec 6250 CR

TI 1800020
DATE 02.07.2012
PAGE 2 / 4



DIMENSIONS

| | |
|------------------|---------|
| Length | 7650 mm |
| Width | 2000 mm |
| Height | 2250 mm |
| Wheel base | 3550 mm |
| Track | 1500 mm |
| Ground clearance | 280 mm |

WEIGHT

| | |
|--------------|---------|
| Operating | 7500 kg |
| Max. payload | 4500 kg |

TURNING RADIUS

| | |
|-------|---------|
| Outer | 6100 mm |
| Inner | 3850 mm |

CRANE

| | |
|-------------------------------|----------|
| Lifting capacity | 25.2 kNm |
| Boom reach – lifting capacity | |
| - 1,5 m | 1800 kg |
| - 3,5 m | 780 kg |
| - 5,8 m | 440 kg |
| Slewing angle | 330° |

PERFORMANCE CURVE

| | |
|----------------------|----------------|
| | 4800031 |
| 1st gear | max. 5 km/h |
| 2nd gear | 12 km/h |
| 3rd gear | 25 km/h |
| Max. tractive effort | 90 kN |

TRANSMISSION

Dana powershift
3 speeds forward and reverse
4-wheel drive

AXLES

Planetary type
rear axle fixed
front axle oscillation +/- 10°

TYRES

10.00 - 20 PR 16

BRAKES

Service brake: hydraulically powered dual-circuit oil immersed multidisc brakes in both axles
Safety/Parking brake: hydraulically released fail-safe -type brake

STEERING

Hydraulic frame steering
Orbitrol type
Frame articulation +/- 40°

HYDRAULICS

190 bar, 95 L/min/2200 rpm
for steering and brakes

ENGINE

Deutz TCD 2012 L4
96 kW/2200 rpm

ELECTRICAL SYSTEM

24 V negative ground
Battery 2 x 110 Ah
Alternator 80 A
Lights (2+2) x 70 W

DRIVER'S CABIN

Open 2-man cabin FOPS/ROPS approved

OPTIONAL EQUIPMENT

Enclosed cabin for NT60 (ROPS/FOPS)
Mercedes-Benz OM 904 LA 90 kW engine
Xenon working lights on cabin (2 + 2 pcs)
LED driving lights (4 + 2 pcs)
LED working lights on cabin (2 + 2 pcs)

ADDITIONAL EQUIPMENT

CD/Radio system
Cabin heating
Air conditioning
Fogmaker extinguishing system (manual)
Fogmaker extinguishing system (automatic)
Ansul extinguishing system (manual)
Ansul extinguishing system (automatic)
Tempus manually actuated (Non CE)
Automatic lubrication system for carrier (Lincoln)
Fast fuel filling system Wiggins
1 extra hand held fire extinguisher (12 kg)
1 extra rotating beacon amber
1 extra rotating beacon red
1 extra rotating beacon blue
1 extra strobe light white
Tools for maintenance
Reversing camera
NT60 spare wheel
Text labels in:
Fin / Por / GB / Swe / Rus / Nor / Ger / Fra / Spa / Ita

LTC SERVICES**SPARE PARTS**

Spare parts package A: Available for 1000 h of use*.
Include periodical service, most common wearing parts and most critical safety parts.

Spare parts package B: Available for 3000 h of use*.
Include periodical service, most common wearing parts and most critical safety parts.

* Recommendations are based on average hours - can vary a lot depending on work site conditions.

TRAINING SERVICES

Available before delivery, at start up and after delivery

Product training:

Operation and Maintenance
NorSmart
Foundation of electrics, hydraulics and mechanics
Audit

Process training:

Concrete spraying
Charging
Process audit

AUDIT SERVICES

To improve performance of the machines
To improve the performance of your processes
To help improve the quality of maintenance operations

SERVICE CONTRACTS

Spare parts supply programmes
Scheduled inspection programmes
Supervision programmes
Periodic maintenance programmes
Machine usage programmes

LINK ONE

Link One electronic spare part manuals

WARRANTY SERVICES

Extended warranty