

normet

Utimec LF 600 Agitator

Technical data sheet
100018506
11.05.2012



Pictured machine may include options and additional equipment.

Features

Utimec LF 600 Agitator with practical concrete transport capacity of 6 m³ is designed for concrete transportation in underground mines and tunnels where tramming height is 3.3 m (11 feet) or more.

The powerful liquid cooled turbo charged 155 kW TIER 3 approved engine provides clean and efficient operation and gives maximum speed of 8 km/h fully loaded in upward inclined 1:7 tunnel. In horizontal tunnel the maximum speed is 18 km/h.

The FOPS and ROPS approved safety cabin provides superior visibility and comfortable compartment for the driver and his assistant. The enclosed cabin provides noise level < 75 dB. All daily checks can be done from the ground level.

Normet reserves the right to change this specification without further notice.

Technical specification

CONCRETE DRUM

Drum volume (100% fill) 9 m³
Carrying capacity 6 m³
Hydraulically controlled mixing and unloading.
Adjustable rotating speed 0...13 rpm
Drum discharge height 1390 mm
Manual drum lock
Drum control panel on right side
Water tank 220 L

ENGINE

Liquid cooled turbo charged Deutz TCD 2012 L6,
155 kW/2300 rpm, TIER 3 approved

EXHAUST SYSTEM

Catalytic exhaust gas purifier and muffler

TRANSMISSION

Dana 32 000 series power shift with pump drive group
3 speeds forward and reverse
4-wheel drive

AXLES

Planetary type
Dana 113
Load end axle fixed
Engine end axle oscillation +/- 7°

TYRES

14.00 - 24 PR 28

PERFORMANCE

1st gear max.	5 km/h
2nd gear	10 km/h
3rd gear	18 km/h
Max. tractive effort	164 kN
Max speed in 1:7 inclined tunnel	
• Fully loaded	8 km/h
• Empty	10 km/h
Performance curve	DOC000805

BRAKES

Service brake: hydraulically powered dual-circuit oil immersed multidisc brakes in both axles
Safety/Parking brake: spring applied hydraulically released fail-safe -type brake. Brake testing possible from cabin

STEERING

Hydraulic frame steering
Orbitrol type
Frame articulation +/- 40°

FUEL TANK

Capacity 140 L

HYDRAULIC SYSTEM

Variable displacement pump system,
190 bar, 95 L/min/2200 rpm
Hydraulic oil tank capacity 120 L
Return oil filtration 10 µm
Indication of level, filtration and temperature

24 VDC ELECTRICAL SYSTEM

Exposed components are min IP 65 standard
Battery 2 x 115 Ah
Alternator 100 A
Driving halogen lights (4 + 2 pcs) 70 W
Working halogen lights on cabin (2 + 2 pcs) 70 W
Working halogen lights on load end (2 pcs) 70 W
LED parking, brake and indicator lights
LED side lights; amber
Side reversing halogen lights 70 W
Rotating beacon; amber
Wire harness (self extinguishing) with tinned wires and water tight conduits

DRIVER'S COMPARTMENT

Open 2-man cabin FOPS/ROPS approved
Air suspended driver's seat
Seats with retractable lap seat belt
Forward and side seating for the driver with two sets of pedals (brake and accelerator)
CAN Cockpit, Master Gauge:

- Tacho, rpm
- Operating hours
- Fuel level
- Transmission temperature
- Cooling water temperature

GREASING SYSTEM

Centralized grease fittings for the carrier

OTHER

12 kg hand held fire extinguisher
Standard symbol labels

Optional equipment

FOR CONCRETE DRUM

Hydraulic drum brake

DRIVER'S CABIN

Enclosed cabin, FOPS/ROPS

Air suspended T-back seat for driver and passenger

ENGINE

Liquid cooled turbo charged Mercedes-Benz OM 906 LA, 170 kW/2200 rpm, TIER 3 approved:

1st gear max.	5 km/h
2nd gear	11 km/h
3rd gear	19 km/h
Max. tractive effort	165 kN
Max speed in 1:7 inclined tunnel:	
• Fully loaded	8 km/h
• Empty	10 km/h
Performance curve	100003433

EXHAUST SYSTEM

Particle filter for Mercedes-Benz OM 906 LA, 170 kW

OTHER

Xenon working lights on cabin (2 + 2 pcs) 35 W

Xenon working lights on load end (2 pcs) 35 W

LED driving lights (4 + 2 pcs) 18 W

LED working lights on cabin (2 + 2 pcs) 43 W

LED working lights on load end (2 pcs) 43 W

Warning lights, 1 unit:

- Rotating beacon; red
- Rotating beacon; blue

Additional equipment

FOR ENCLOSED CABIN

CD/Radio system

Cabin ventilation:

- Cabin heating
- Air conditioning

FIRE SUPPRESSION SYSTEM

Fogmaker: Manually actuated

Fogmaker: Automatically actuated

Ansul: Manually actuated

Ansul: Automatically actuated

Tempus: Manually actuated (Non CE)

GREASING SYSTEM

Automatic lubrication system for carrier: Lincoln

AUXILIARY BRAKING SYSTEM

Electromagnetic retarder

Mounted in driveline

Recommended on inclines deeper than 1:10 and longer than 1000 m

OTHER

Fast fuel filling system: Wiggins

Extra hand held fire extinguisher (12 kg)

Warning lights, 1 unit:

- Rotating beacon; amber
- Rotating beacon; red
- Rotating beacon; blue
- Strobe light; white

Text labels in: Fin / Por / GB / Swe / Rus / Nor / Ger / Fra / Spa / Ita

Tools for maintenance

2 wheel chocks with brackets

Reversing camera

Spare wheel

LTC services

SPARE PARTS

Spare parts package A: Available for 1000 h of use*.
Include periodical service, most common wearing parts and most critical safety parts.

Spare parts package B: Available for 3000 h of use*.
Include periodical service, most common wearing parts and most critical safety parts.

* Recommendations are based on average hours - can vary a lot depending on work site conditions.

TRAINING SERVICES

Available before delivery, at start up and after delivery

Product training:

Operation and Maintenance

NorSmart

Foundation of electrics, hydraulics and mechanics

Audit

Process training:

Concrete spraying

Charging

Process audit

AUDIT SERVICES

To improve performance of the machines

To improve the performance of your processes

To help improve the quality of maintenance operations

SERVICE CONTRACTS

Spare parts supply programmes

Scheduled inspection programmes

Supervision programmes

Periodic maintenance programmes

Machine usage programmes

LINK ONE

Link One electronic spare part manuals

WARRANTY SERVICES

Extended warranty

normet

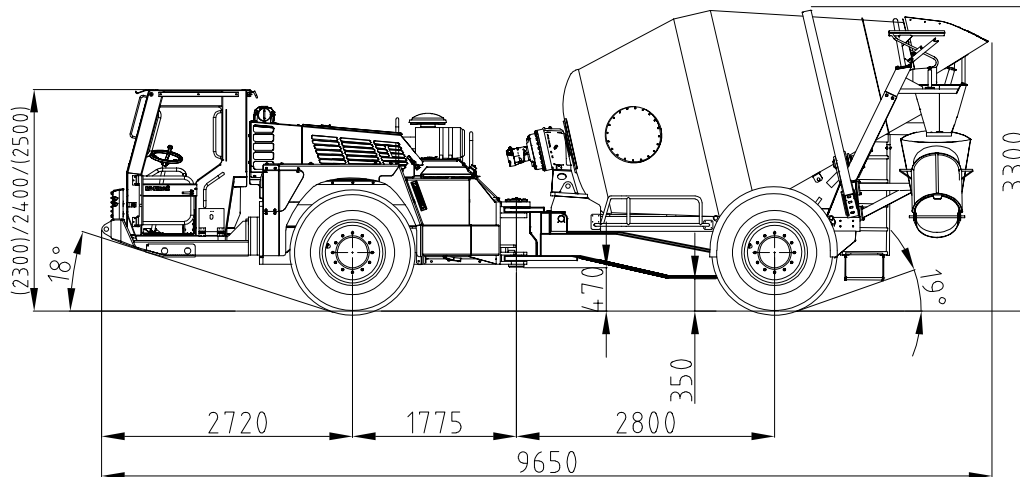
Utimec LF 600 Agitator

Technical data sheet

100018506

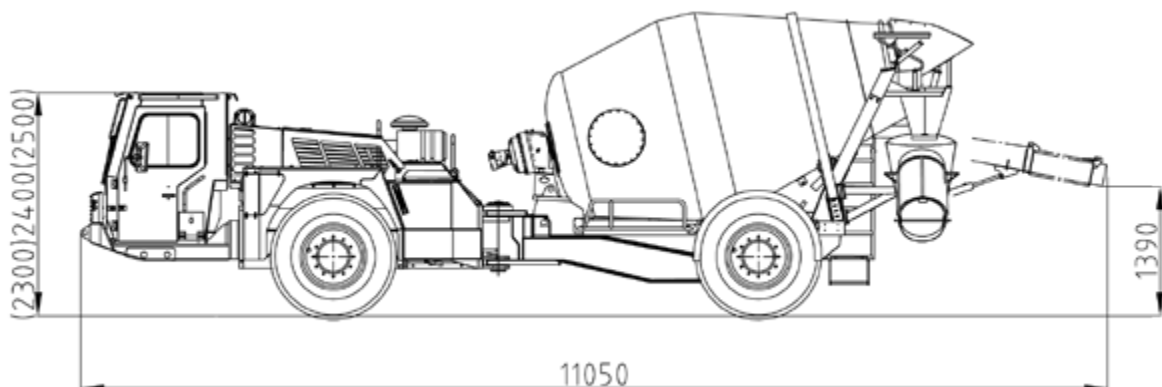
11.05.2012

Dimensions



SIDE VIEW

Basic machine.



SIDE VIEW

Machine with enclosed cabin

DIMENSIONS

Length	9650 mm
Width	2400 mm
Height	3300 mm
Height of cabin	(+/- 100 mm) 2400 mm
Wheel base	4575 mm
Track	1950 mm
Ground clearance as shown	350 mm

TURNING RADIUS

Outer	7900 mm
Inner	4850 mm

WEIGHT

Operating weight:	
• Empty	14 400 kg
• Fully loaded	28 200 kg

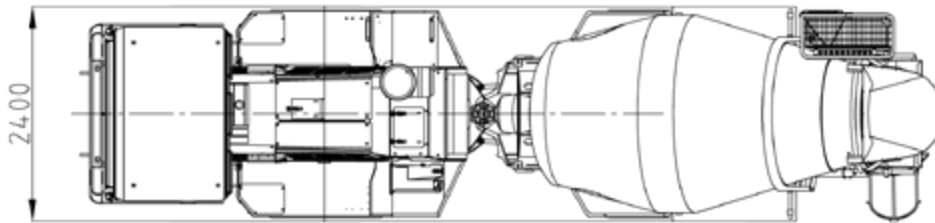
Normet reserves the right to change this specification without further notice.

normet

Utimec LF 600 Agitator

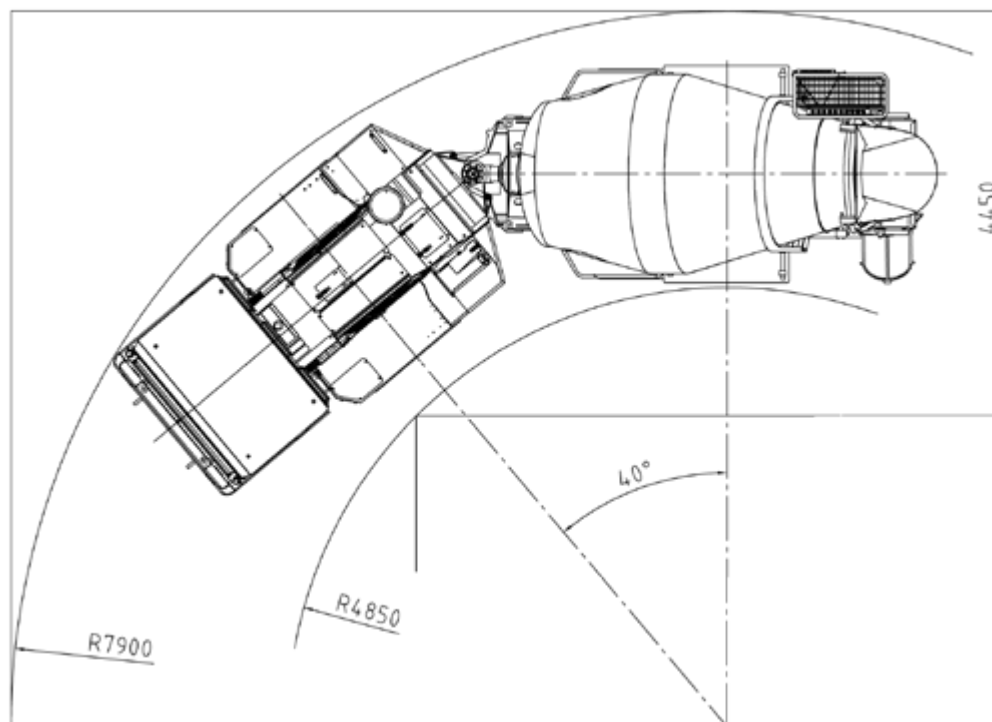
Technical data sheet
100018506
11.05.2012

Dimensions



TOP VIEW

Machine with options and extra equipment.



TURNING RADIUS

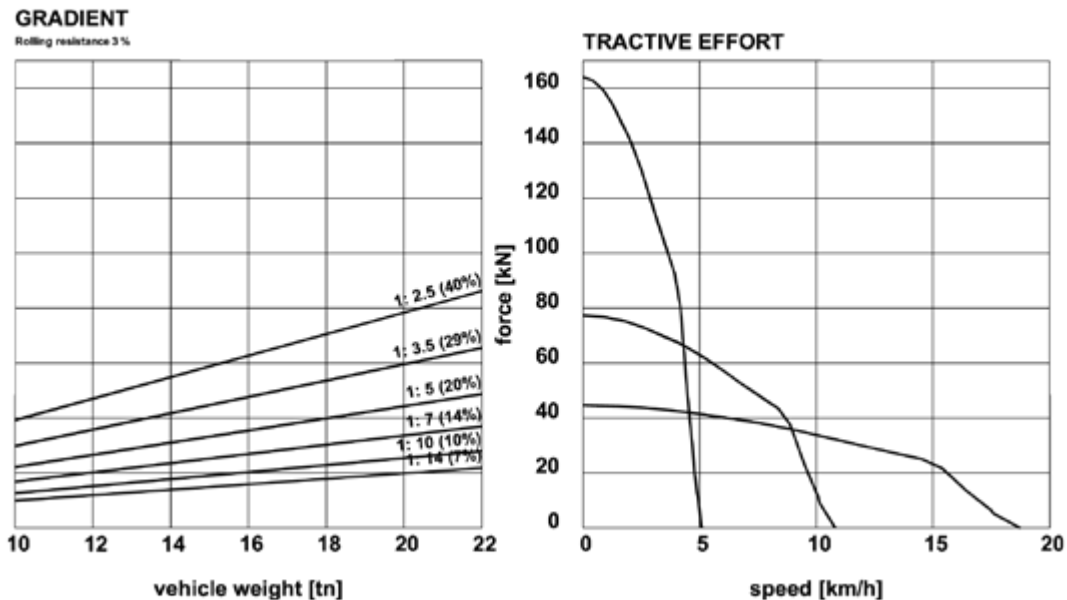
Normet reserves the right to change this specification without further notice.

normet

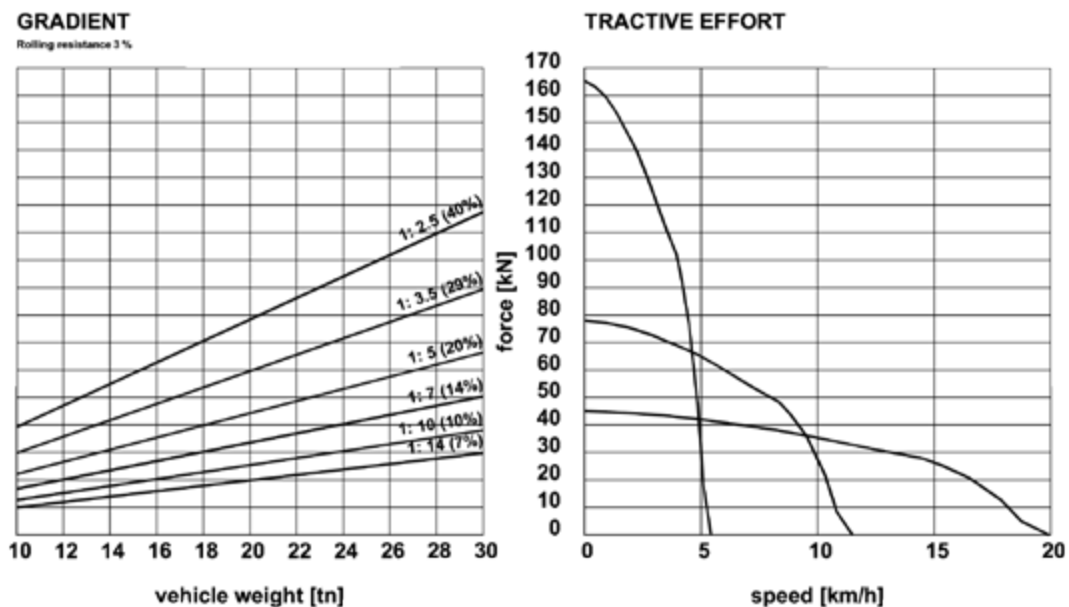
Utimec LF 600 Agitator

Technical data sheet
100018506
11.05.2012

Tractive efforts



DEUTZ TCD 2012 L6, 155 kW
Performance curve DOC000805



MERCEDES-BENZ OM 906 LA, 170 kW
Performance curve 100003433

Normet reserves the right to change this specification without further notice.